



QL-1110NWB

Quick Setup Guide (English)

Thank you for purchasing the QL-1110NWB Label Printer!

Read the *Product Safety Guide* first, then read this *Quick Setup Guide* for the correct setup procedure. After reading this guide, keep it in a safe place for quick reference.

NOTE

- The information provided in this document is subject to change without notice.
- Unauthorized duplication or reproduction of any or all content of this document is prohibited.

For FAQs, Troubleshooting, and to download software and manuals, visit support.brother.com

To download and install printer drivers and software, visit our website:

install.brother

For more information on installing the drivers and software, see the *Install Printer Drivers and Software on a Computer* section in this guide.

Available Manuals

■ **Product Safety Guide**

This guide provides safety information; read it before you use the Label Printer.

■ **Quick Setup Guide (this guide)**

This guide provides basic information about using the Label Printer, along with troubleshooting tips.

■ **User's Guide**

When downloading the installer at install.brother, the folder "Brother Manual" is created on your computer desktop and the *User's Guide* is stored in this folder.

This guide provides additional information about the Label Printer settings and operations, troubleshooting tips, and maintenance instructions. You can download individual manuals from the Brother Solutions Center. Visit the Brother Solutions Center at support.brother.com, click **Manuals**, and go to your model's page to download all manuals.

Applications for Use with Computers

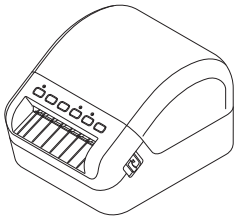
Applications	Features	Computer	Connection	Reference
	Label creation software for computers. This application comes with built-in drawing tools that allow you to print a wide variety of custom labels in complex layouts with text of different fonts and styles, frames, imported images, barcodes, etc. The P-touch Editor application and printer drivers must be installed. (install.brother) For more information, see the <i>Install Printer Drivers and Software on a Computer</i> section in this guide. See the <i>User's Guide</i> for guidance on using P-touch Editor.	Windows / Mac	Wi-Fi / Bluetooth / USB / Wired Network	See section 7. <i>Use the Label Printer with a Computer</i> in this guide.

Applications for Use with Mobile Devices

Applications	Features	Mobile Device	Connection	Reference
	This application allows you to use a mobile device to download databases and label data (created on a computer with P-touch Editor and saved to a cloud service), and send them to your Label Printer.	iPhone / iPad / iPod touch or Android™ device	USB / Wireless Direct / Wi-Fi / Bluetooth	See section 8. <i>Use the Label Printer with a Mobile Device</i> in this guide.

1. Unpack the Label Printer

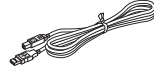
Check that the package contains the following items before using the Label Printer.
If any item is missing or damaged, contact your Brother dealer.



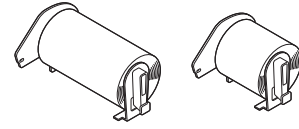
Label Printer



AC Power Cord
(The plug may differ by country.)



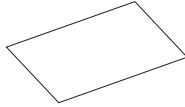
USB Cable



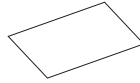
DK Roll (starter roll)



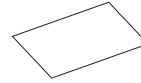
Product Safety Guide



Quick Setup Guide



DK Label & Tape Guide



Warranty Card

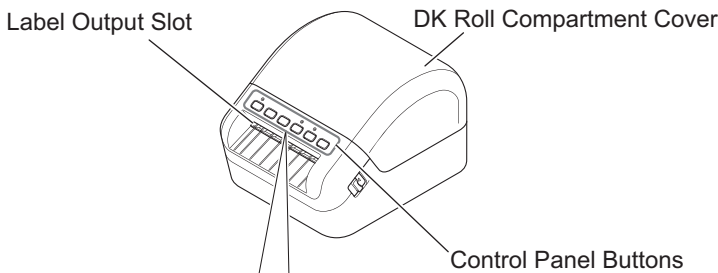
NOTE

The Brother QL-1110NWB includes the following two starter rolls:

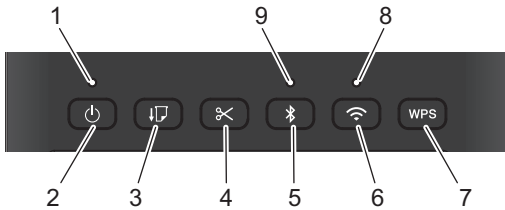
- One starter roll of DK Die-cut 4.07" x 6.4" (103 mm x 164 mm) (40 labels)
- One starter roll of DK Continuous Length Black (2.4" (62 mm))

2. Parts Description

■ Front

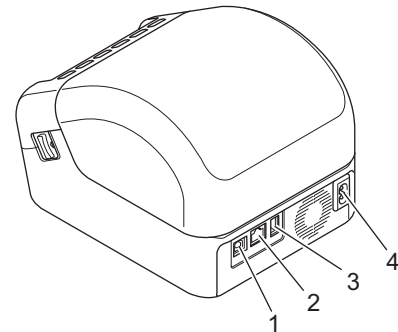


Control Panel Buttons



- | | |
|---------------------|------------------|
| 1. Status LED | 6. Wi-Fi Button |
| 2. Power Button | 7. WPS Button |
| 3. Feed Button | 8. Wi-Fi LED |
| 4. Cutter Button | 9. Bluetooth LED |
| 5. Bluetooth Button | |

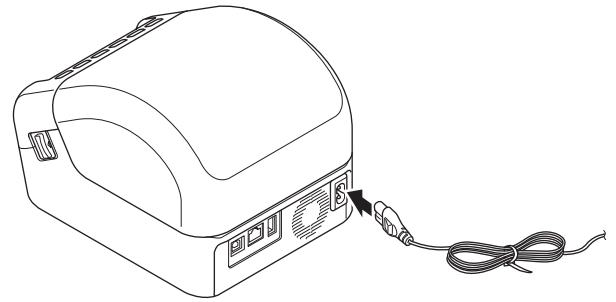
■ Rear



- | |
|------------------|
| 1. USB Port |
| 2. LAN Port |
| 3. USB Host Port |
| 4. AC Power Port |

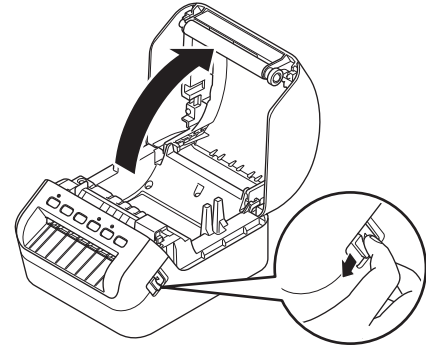
3. Connect the Power Cord

Connect the AC Power Cord to the Label Printer. Then, plug the AC Power Cord into a grounded AC power outlet.



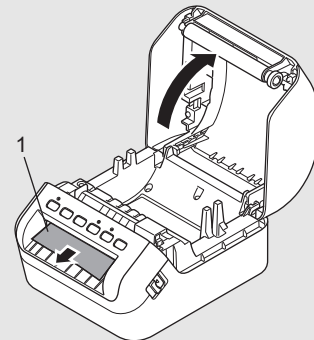
4. Load the DK Roll

1. Make sure that the Label Printer is turned Off.
2. Pull the release levers on both sides of the Label Printer to unlock the DK Roll Compartment Cover.
 - Hold the Label Printer by the front, and firmly lift the DK Roll Compartment Cover to open it.

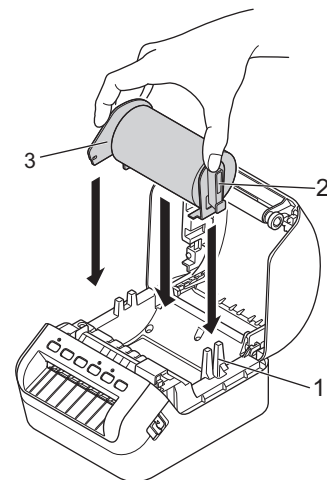


⚠ IMPORTANT

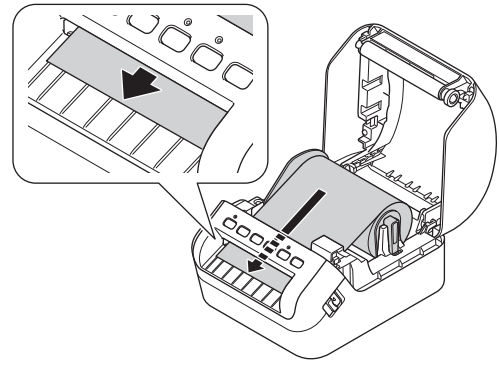
Before using the Label Printer, remove the protective sheet (1) from the Label Output Slot.



3. Place the DK Roll into the Roll Spool Guide (1).
 - Make sure that the Roll Spool Arm (2) is inserted firmly in the Roll Spool Guide.
 - Make sure the Stabilizer (3) slides into the notch in the Label Printer.

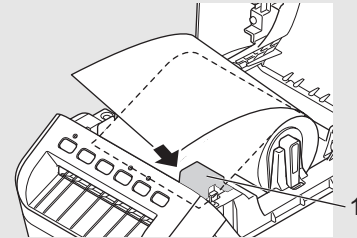


- 4.** Thread the DK Roll through the Label Printer.
- Align the edge of the DK Roll with the upright edge of the Label Output Slot.
 - Check that the DK Roll is threaded straight so that the labels will not be skewed.
 - Push the first label through the Label Output Slot until the end comes out of the Slot as shown.

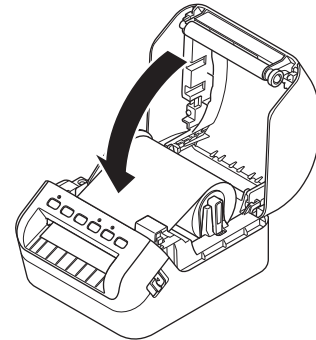


 **NOTE**

If you have difficulty inserting the first label, try inserting from the side under the sensor (1).



- 5.** Close the DK Roll Compartment Cover.



 **IMPORTANT**

- Do not leave any printed labels in the Label Printer. Doing so will cause the labels to jam.
- When not in use, remove any DK Rolls from inside the Label Printer and close the DK Roll Compartment Cover to prevent dust and debris from accumulating in the Label Printer.

5. Turn Power On/Off

On: Press the Power (⏻) Button to turn the Label Printer On. The Status LED turns green.

 **IMPORTANT**

Press the Feed (⏪) Button to align the end of the DK Roll.

Off: Press and hold the Power (⏻) Button again to turn the Label Printer Off.

 **IMPORTANT**

When turning the Label Printer Off, do not disconnect the AC Power Cord until the orange Status LED turns Off.

6. LED Indications

The indicators light and flash to indicate the Label Printer's status.

Status LED	Condition
Not lit	Power is Off
Steady green light	The Label Printer is in one of the following modes: <ul style="list-style-type: none"> • Idle mode • Initializing mode • Feeding mode • Printing mode • Cutting mode • Mass storage mode • WPS setting mode
Flashing green light	The Label Printer is doing one of the following: <ul style="list-style-type: none"> • Receiving data • Canceling the print job
Steady orange light	One of the following is occurring: <ul style="list-style-type: none"> • The DK Roll Compartment Cover is open. Close the DK Roll Compartment Cover correctly. • Resetting mode is on. The Cutter (✂) Button was pressed while resetting. For more information on resetting the Label Printer, see the <i>User's Guide</i>. • Label Printer is in System off mode
Flashing orange light	If the orange light flashes at 0.5 second intervals continuously, the Label Printer is in Cooling mode If the orange light flashes at 0.5 second intervals three times, the Label Printer is being discovered by another device.
Steady red light	The Label Printer is in Boot mode Contact Brother Customer Service.
Flashing red light	If the red light flashes at one second intervals, one of the following errors has occurred: <ul style="list-style-type: none"> • Roll end error • No media error • Wrong media error • Feed error • Cover open error • Transferred data error • Memory full error • Access Point connection error If the red light is off for one second, flashes twice rapidly*, and goes off again, then one of the following errors has occurred: <ul style="list-style-type: none"> • Cutter error • Mass storage error • USB host power supply excessive voltage error • USB host unsupported device connection error If the red light flashes at a rate of one second off, rapidly* on, rapidly off, rapidly on, rapidly off, rapidly on, then a USB host hub connection error has occurred. If the red light flashes rapidly*, there is a system error. When you press a button other than the Power (⏻) Button, the flash pattern changes according to the cause of the error. Contact Brother Customer Service.

* Rapidly = at 0.3 second intervals.



NOTE

See the *Troubleshooting* section in this guide for tips on how to fix errors.

Wi-Fi LED

Wi-Fi LED	Condition
Not lit	Wi-Fi is off
Steady green light	Wi-Fi is on and connected.
Flashing green light	If the green light is on for one second, off for two seconds, and then repeats, the Wi-Fi is on but not connected.

Bluetooth LED

Bluetooth	Condition
Not lit	Bluetooth is off
Steady blue light	Bluetooth is on.
Flashing blue light	If the blue light flashes at 0.5 second intervals, the Label Printer is Pairing. If the blue light flashes at 1 second intervals, the Label Printer is automatically reconnecting.

7. Use the Label Printer with a Computer

Install Printer Drivers and Software on a Computer

To print from your Windows® computer or Mac, install the Printer Drivers, P-touch Editor, and other label-printing applications on your computer.

Software for Windows®

Printer Driver, P-touch Editor, P-touch Address Book, P-touch Update Software, Printer Setting Tool, BRAdmin Light, and BRAdmin Professional

Software for Mac

P-touch Editor, P-touch Update Software, and Printer Setting Tool

1. Visit our website (install.brother) and download the Software/Documentation Installer for the latest drivers, software, and manuals.
2. Double-click the downloaded EXE file (for Windows®) or DMG file (for Mac), and follow the on-screen instructions to proceed with the installation.
3. Close the dialog box when the installation is complete.

Connect the Label Printer to a Computer

You can connect the Label Printer to a Windows computer or Mac wirelessly, using a USB Cable, or using a wired LAN connection.

Connect Wirelessly

1. Turn the Label Printer On.
2. Press and hold the Wi-Fi (📶) Button on your Label Printer for one second to turn the Wi-Fi function On. The Wi-Fi LED starts flashing green at three second intervals.

NOTE

To connect the Label Printer to a computer using a wireless connection, we recommend the following:

- Configure the wireless network settings while installing the software. You can change the settings later using the Printer Setting Tool. For more information, see the *User's Guide*.
- Install the software on a computer wirelessly connected to your network and configure the Label Printer using a USB Cable.
- Make a note of the SSID (network name) and password (network key) of the wireless network in advance. If you cannot find this information, ask your network administrator or wireless access point/router manufacturer.
- If your wireless access point/router supports WPS (🔑), you can use WPS (Wi-Fi Protected Setup) to quickly configure the wireless network settings.
- For more information, see the *User's Guide*.

Connect Using a USB Cable

1. Turn the Label Printer Off.
2. Connect the USB Cable to the USB Port on the back of the Label Printer.
3. Connect the USB Cable to your computer's USB port.
4. Turn the Label Printer On.

Connect Using a Wired LAN

NOTE

If you are using a static IP address to connect your Label Printer to a wired LAN connection, install the Printer Drivers and Printer Setting Tool before specifying your wired LAN connection settings.

1. Turn the Label Printer Off.
2. Connect the LAN cable to the LAN Port on the back of the Label Printer.
3. Connect the LAN cable to an active LAN Port on the network.
4. Turn the Label Printer On.

Connect Using Bluetooth

1. Turn the Label Printer On.
2. Press and hold the Bluetooth (📶) Button on your Label Printer for one second to turn the Bluetooth function On.
3. Use your Bluetooth management software to discover the Label Printer. The Bluetooth LED lights blue.

8. Use the Label Printer with a Mobile Device

Install Label-Printing Apps on a Mobile Device

Brother offers various apps that allow you to print directly from your iPhone, iPad, and iPod touch or Android™ smartphone or tablet. We also offer apps that allow you to transfer data, such as templates, symbols, and databases created using a computer, wirelessly to your Label Printer.

Download these free Brother apps from the App Store or Google Play:

- Brother iPrint&Label
- Mobile Transfer Express

Connect the Label Printer to a Mobile Device

Connect Using Wireless Direct

1. After installing the Printer Drivers, connect your Label Printer to your computer using a USB cable, and then confirm the Wireless Direct settings in the Printer Setting Tool.

For Windows:

- a. Launch the **Printer Setting Tool** on your computer.
- b. Click the **Communication Settings** button.
- c. Click the **Communication Settings** in the **General** tab.
- d. Confirm **Infrastructure and Wireless Direct** or **Wireless Direct** is selected for **Selected Interface**.

If not, select **Infrastructure and Wireless Direct** or **Wireless Direct** and click the **Apply** button.

For Mac:

- a. Launch the **Printer Setting Tool** on your computer.
- b. Click the **Communication Settings** button.
- c. Click the **Wireless LAN** tab.
- d. Confirm that **Wireless Direct** is set to **On**.

For more information, see the *User's Guide*.

2. Press and hold the Wi-Fi (📶) Button on the Label Printer for one second to turn the Wi-Fi function On. The Wi-Fi LED lights green.
3. In your mobile device's Wi-Fi settings screen, select your wireless network's SSID, and then SSID of the Label Printer and enter the password.

NOTE

- The Label Printer's default SSID is: "DIRECT-*****_QL-1110NWB", where ***** is the last five digits of the product serial number. The Label Printer's default password is: 111*****, where ***** is the last five digits of the product serial number.
- You can connect the Label Printer to a mobile device in the Infrastructure mode via a wireless access point/router.

Connect Using Bluetooth

1. Press and hold the Bluetooth (📶) Button on your Label Printer for one second to turn the Bluetooth function On. The Bluetooth LED lights blue.
2. In your mobile device's Bluetooth settings screen, select your Label Printer.

Print Labels from a Mobile Device

1. Make sure that the Label Printer is connected to your mobile device, and start a mobile printing application on your mobile device.
2. Select a label template or design.

NOTE

You can also select a previously designed label or image and print it.

3. Tap **Print** in the application menu.

Specifications

■ Product specifications

Items	Specifications
Printing method	Direct thermal printing via thermal head
Interface	USB / Wireless LAN / Wired LAN / Bluetooth
Size	W:6.70" x H:5.95" x D:8.75" (W:170 x H:151 x D:222 mm)
Weight	Approx. 3.83 lb (1735 g) (without DK Rolls)

■ Operating environment

Items	Specifications
Operating temperature	50°F to 95°F (10°C to 35°C)
Operating humidity	20% to 80% (Maximum wet-bulb temperature 80.6°F (27°C))

Troubleshooting

Problem	Solution
The Status LED is not lit.	■ Check that the AC Power Cord is inserted. If it is inserted correctly, try plugging it into another AC power outlet.
The Label Printer does not print, or a printing error is received.	■ Check that the USB Cable is connected securely. ■ Remove the DK Roll and reinsert it. ■ Check that there is enough DK Roll remaining. ■ Make sure that the DK Roll Compartment Cover is closed. ■ Turn off the Label Printer and then turn it on again. If there is still a problem, contact your Brother dealer. ■ If the Label Printer is connected via a USB hub, try connecting it directly to the computer. If not, try connecting it to a different USB Port.
A data transmission error appears on the computer.	■ Check that the correct port is selected from the "Print to the following port" list in the Printer Properties dialog box. ■ Wait until the Status LED stops flashing and then try printing again.
The label is not ejected correctly after printing.	■ Check that the Label Output Slot is not blocked. ■ Check that the DK Roll is set correctly by removing the DK Roll and reinstalling it. ■ Ensure that the DK Roll Compartment Cover is closed correctly.
Labels are jammed in the cutter.	■ Contact Brother Customer Service.
Cutter error	■ If a cutter error occurs, keep the DK Roll Compartment Cover closed and press the Power (⏻) Button. The cutter moves back to the normal position and the Label Printer turns off automatically. After the Label Printer is Off, check the Label Output Slot and remove any jammed labels.
Unable to reset an error.	To reset an error: <ol style="list-style-type: none">1. Open the DK Roll Compartment Cover, and then close it.2. If the error is not reset, press the Cutter (✂) Button.3. If the error is not reset, turn off the Label Printer, and then turn it on again.4. If the error is not reset, contact Brother Customer Service.

Software Development Kit

A Software Development Kit (SDK) is available. Visit the Brother Developer Center (www.brother-usa.com/lp/civ/home.aspx).

The b-PAC SDK and the SDKs for mobile devices (Android, iPhone, and iPad) can also be downloaded. (The SDKs available are subject to change without notice.)